

TRESTLE TR1K

Implement fixed to the third point of the tractor by means of mechanical stabilizers and provided with hydraulic circuits and independent controls directly operated by the baskets.

Telescopic arms provided with automatic basket levelling control.

Arms range: 120°.

This machine complies with the Machinery

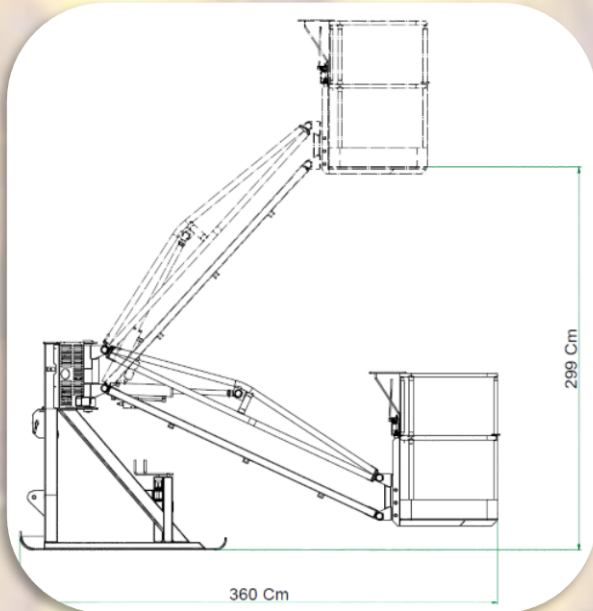


TR1K used for opening and closing of the anti hail net

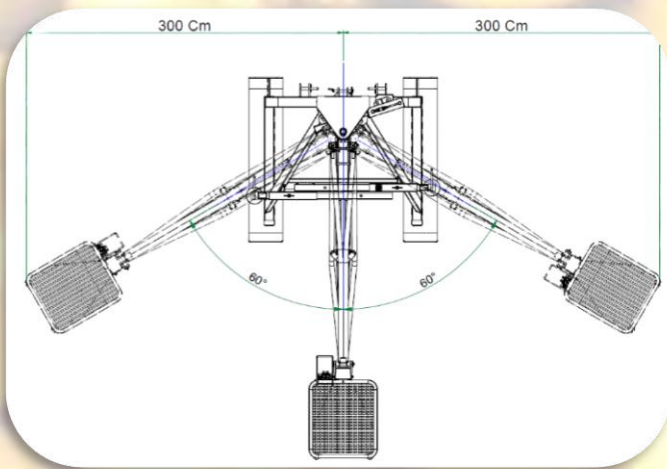


TR1K used for the pruning of low olive trees

Layout TR1K



TR1K used for maintenance of new facilities



Kg 400



Third point coupling element



Slitte per la stabilità e piedino di sicurezza



Scan for video

Rivenditore - Dealers - Revendeur - Händler



find us on Facebook - FAMAPRUNING