

PRE-PRUNING MACHINE MOD. PR650-950

Equipped with **electro-hydraulic distributor and joystick** for full control of all machine functions: Height adjustment (70 cm), Side movement (50 cm), Rotation (-15°/+35°) and Disks release.

Standard equipment:

- Supporting trestle with wheels
- Flanging system



joystick



Supporting trestle with wheels



Flanging system



2 Verticals bars for pre-pruning machine

OPTIONAL



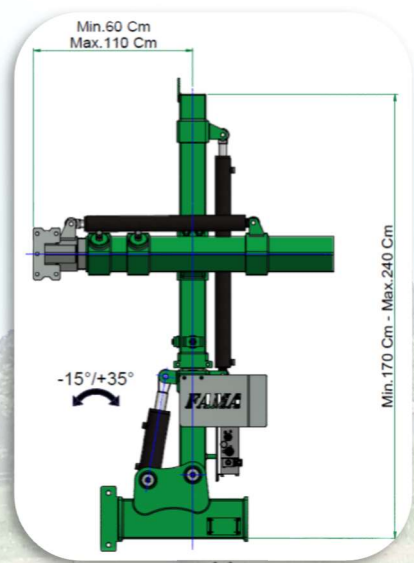
Hydraulic system for tractors

OPTIONAL



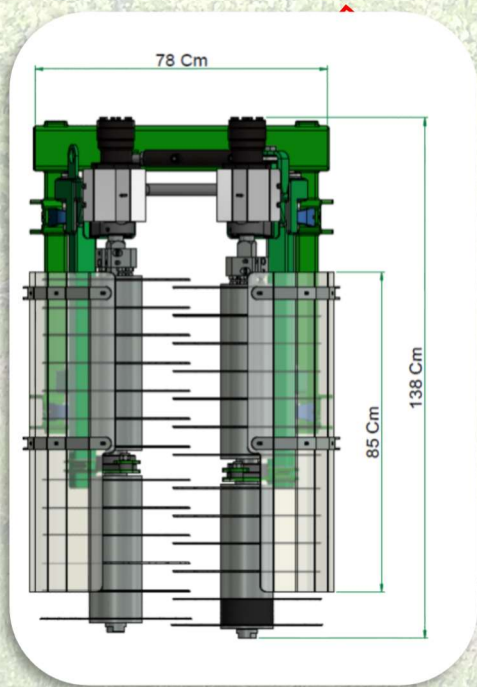
Third point coupling element

OPTIONAL

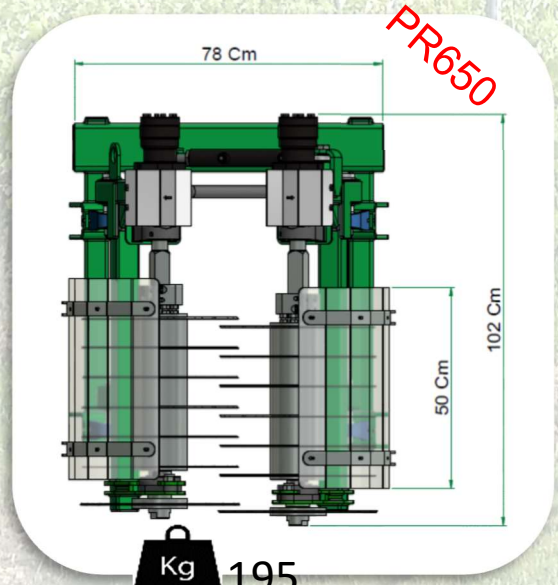


Kg 150

PR 650: H. of pruning 45 cm
PR 950: H. of pruning 60 cm
PR 950: H. of pruning 90 cm



Kg 260



Kg 195



CUT



VINE STRIPPING



Scan for video

Rivenditore - Dealers - Revendeur - Händler



find us on Facebook - FAMAPRUNING