

LOPPING MACHINE CBC 100-200

There is applied to tractor with front hosting device or with standard flanging.

Lopping machine with knives for lopping the vineyards. equipped with hydraulic distributor for full control of all machine functions: Side movement (50 cm), Tilt movement (25°) and Height adjustment of cutting blades (50 cm)

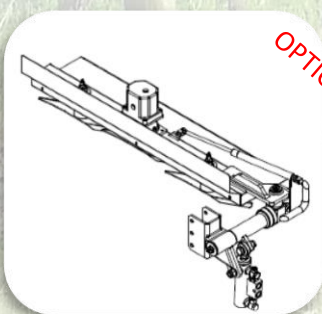
Standard equipment:

- 2 Verticals bars
- Supporting trestle with wheels
- Flanging system



Coltello sylvose con motore idraulico Inc.(45°)

OPTIONAL



Topping bar with hydraulic inclination

OPTIONAL



Flanging system

OPTIONAL



Shoot conveyor for vertical bars

OPTIONAL



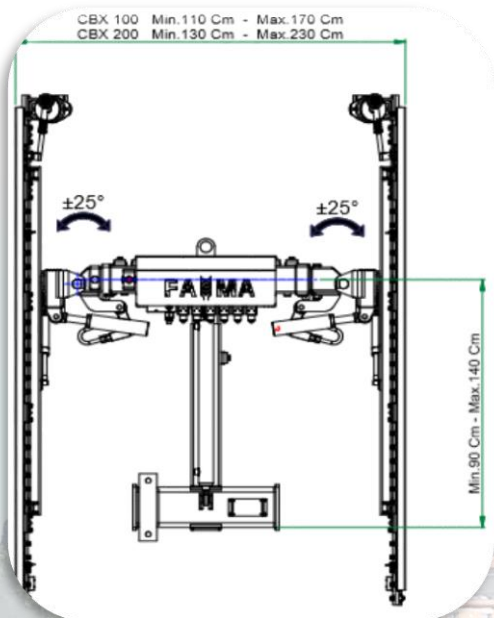
Hydraulic topping height adjustment 40cm

OPTIONAL



Third point coupling element

OPTIONAL



Kg 230

MODELLI DISPONIBILI

Vertical bar with 4 blade	130 Cm
Vertical bar with 5 blade	160 Cm.
Vertical bar with 6 blade	190 Cm.
Vertical bar with 4 blade + 1 blade	130 Cm. + 35 Cm
Vertical bar with 5 blade + 1 blade	160 Cm. + 35 Cm
Vertical bar with 6 blade + 1 blade	190 Cm. + 35 Cm
Topping 3 blade	95 Cm
Topping 2 blade	70 Cm.
Topping 4 blade	130 Cm.



OPTIONAL

Hydraulic system for tractors

Rivenditore - Dealers - Revendeur - Händler



Scan for video



find us on Facebook - FAMAPRUNING